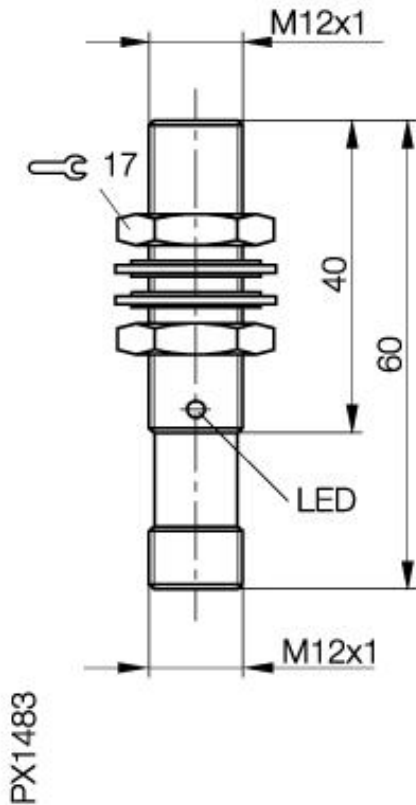


**Inductive Sensors**  
**BES M12MG1-NSC60B-S04G**  
**M12 x 60**  
**normally-open**  
**Sn=6mm**  
**quasi shielded**



**Common Data**

Product name	SuperG
Mounting in steel	quasi shielded
Rated operating distance Sn	6mm
Assured operating distance Sa	0...4,9mm
Repeatability R	≤ 5%
Function indication	yes
Ambient temperature range	-25...+70°C

**Mechanical Data**

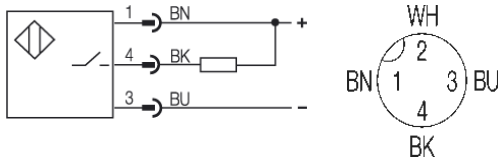
Measurements BxHxT or DxT	M12 x 60mm
Housing material	CuZn chrome plated
Material of sensing face	PBT
Degree of protection	IP67IP
Connection	Connector S4 (M12)
Schock: Halbsinus, 30 gn, 11ms	
Vibration: 55 Hz, 1mm Amplitude, 3 x 30 Minutes	

**Electrical Data**

Current type	DC
Wiring	3-Wire
switching function	normally-open
Output signal	NPN
Rated operational voltage	24 DCV
Rated operational current	200mA
Supply voltage	10...30 DCV
max. switching frequency	800Hz
No-load supply current	≤ 10mA
Off-state current	≤ 100µA
Voltage drop	≤ 2V
Short circuit protection	yes
Protected against polarity reversal	yes

**Remarks**

Mounting Instructions 825356



Utilization categories  
 Insulation class

DC 13

Datasheet number:

Definitions see general catalog.  
 If not otherwise noted, ratings according to  
 IEC 60947-5-2 (DIN EN60947-5-2)

Balluff GmbH  
 Schurwaldstrasse 9  
 73765 Neuhausen a.d.F.  
 Phone (07158) 173-0 Fax (07158) 5010

Datenblatt by CD-ROM - 04/2007

**BALLUFF**  
 sensors worldwide